

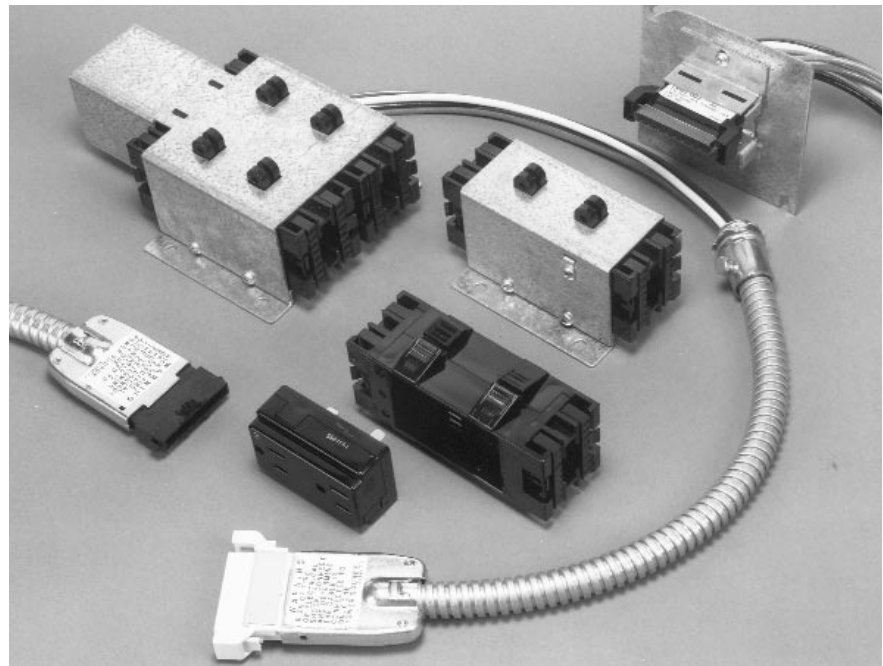
Modular Power Distribution System

AMPINERGY Style



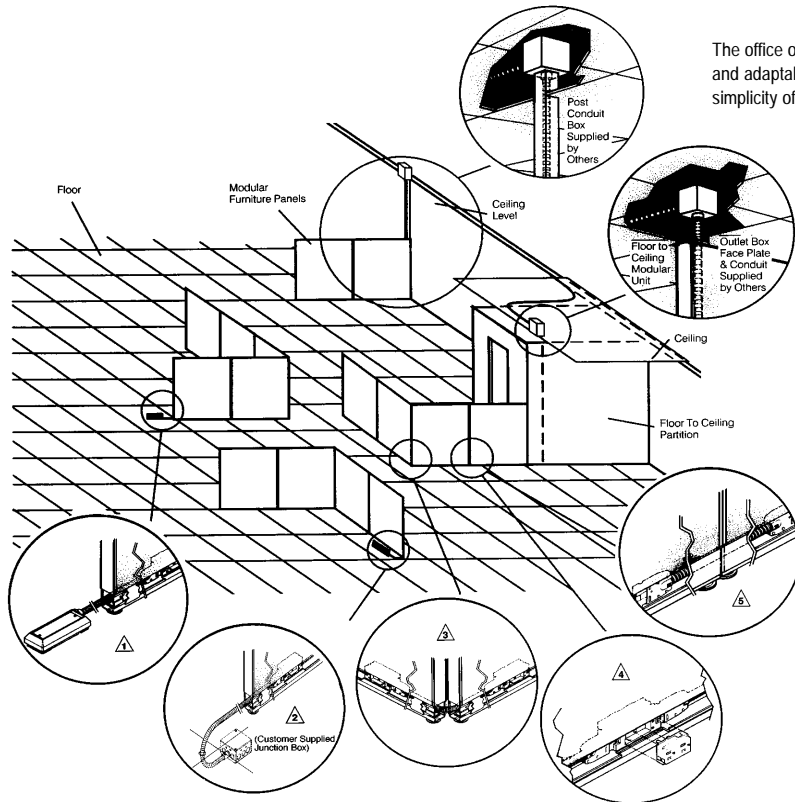
The Modular Power Distribution System can be used to deliver power to the workstations in raised floor installations through AMP Access Floor Workstation Modules, Modular Office Systems Furniture Panels, and other methods as allowed by codes. It may also be used to power the overhead lighting fixtures.

- Layout and planning Manual No. 124235 available for your CAD designer
- CAD layout and design services also available directly from AMP
- Contact AMP for Construction Specifications written in the Construction Specifications Institute (CSI) or Construction Specifications Canada (CSC) format.
- Listed under Underwriters Laboratories Inc. 183, 498, and 1286 standards
- Certified to Canadian Standards Association 22.2 No. 42 and 203 standards.
- Compatible with 1996 National Electrical Code Sections 604 and 605



The Modular Wiring System is available in 5-wire/3-circuit and 8-wire/4-circuit versions. The 5- and 8-wire versions have a 5.29 mm² [10 AWG] conductor (neutral) to accommodate higher currents due to triplen harmonics. The 8-wire configuration has a separate 3.32 mm² [12 AWG] neutral and isolated ground for the fourth circuit to allow an isolated, dedicated circuit for equipment sensitive to powerline noise.

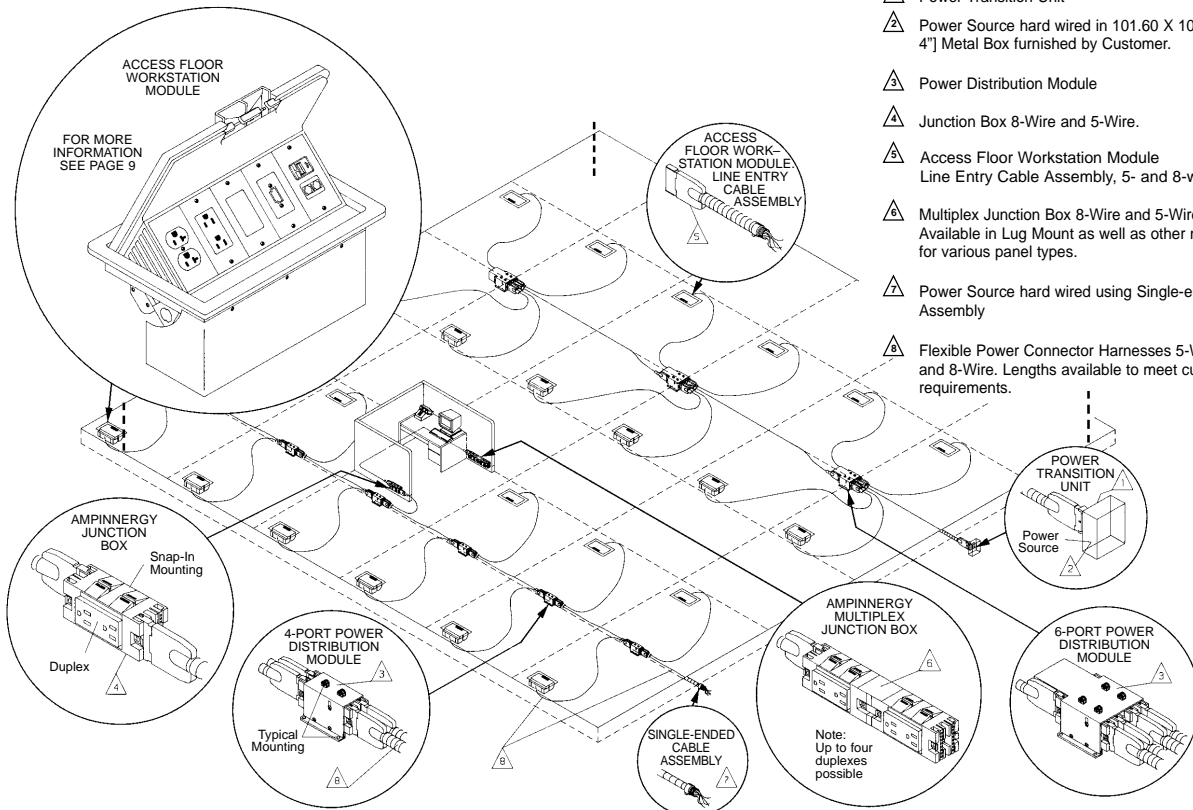
Modular Office Systems Furniture Application



The office of today and the office of the future demand flexibility and adaptability, along with reliability of components, while offering simplicity of moves and changes.

- △ Single-ended Power Cable Assembly from Undercarpet Floor Mount Fixture
- △ Power Entry Cable Assembly
- △ Flexible Power Connector Cable Assembly permits 90° cable routing
- △ Plug-in Duplex Receptacle
- △ Power Connector Cable Assembly for straight runs on panels

Raised Access Floor Application



- △ Power Transition Unit
- △ Power Source hard wired in 101.60 X 101.60 [4" X 4"] Metal Box furnished by Customer.
- △ Power Distribution Module
- △ Junction Box 8-Wire and 5-Wire.
- △ Access Floor Workstation Module Line Entry Cable Assembly, 5- and 8-wire.
- △ Multiplex Junction Box 8-Wire and 5-Wire. Note: Available in Lug Mount as well as other mountings for various panel types.
- △ Power Source hard wired using Single-ended Cable Assembly
- △ Flexible Power Connector Harnesses 5-Wire and 8-Wire. Lengths available to meet customer requirements.

Common Components To Modular Office Systems Furniture and Raised Access Floor Applications

Cable Assemblies

- Available in 5-wire or 8-wire
 - Rated at 125/250 VAC
 - Common neutral is 5.29 mm² [10 AWG] for the 5-wire 3 circuit configuration and 3.32 mm² [12 AWG] for the 4th circuit in the 8-wire configuration. All other conductors 3.32 mm² [12 AWG]
 - Polarized and color-coded
(white housing = 5-wire) (black housing = 8-wire)
- Two 5.29 mm² [10 AWG] Neutrals are available for 50/50 power on special order for all cable assemblies.



Power to Power



Power Entry



Power to Line

Cable Assemblies

Note: Other lengths can be made available - Contact AMP

8-Wire Power to Power

Part Number	Length	
	cm	inches
5-556127-7	45.72	18
2-556127-4	60.96	24
1-556127-8	91.44	36
5-556127-0	114.30	45
1-556127-5	121.92	48
556127-8	172.72	68
3-556127-1	177.80	70
556127-9	203.20	80
5-556127-4	208.28	82
1-556127-0	233.68	92
3-556127-2	243.84	96
5-556127-6	304.80	120
3-556127-9	365.76	144
3-556127-3	457.20	180
2-556127-3	670.56	264
5-556127-5	1524.00	600
558057-1 ¹	1524.00	600
Additional Lengths Available		

8-Wire Power Entry

555856-3*	121.92	48
555856-8*	152.40	60
555856-4*	182.88	72
1-555856-1*	243.84	96
558058-1 ^{***}	1524.00	600
Additional Lengths Available		
406066-2 ^{***}	1066.80	420
406066-1 ^{***}	1524.00	600
569659-2 ^{1****}	243.84	96
569659-1 ^{1****}	1524.00	600
55862-1 ¹	112.96	48
55862-2 ¹	1524.00	600
with 90° conduit connector on black painted conduit		

8-Wire Line Entry

557653-1	40.64	16
----------	-------	----

8-Wire Power to Line

556731-8	91.44	36
556731-1	182.88	72

¹Two 5.29 mm² [10 AWG] Neutrals are available for 50/50 power on special order for all cable assemblies.

* 40.64 cm [16.00] Exposed Conductor

** 15.24 cm [6.00] Exposed Conductor

*** 121.92 cm [48.00] Exposed Conductor

Common Components To Modular Office Systems Furniture and Raised Access Floor Applications

5-Wire Power to Power

Part Number	Length	
	cm	inches
3-556212-0	50.80	20
2-556212-0	60.96	24
3-556212-3	91.44	36
4-556212-7	118.11	46.5
1-556212-5	121.92	48
556212-8	172.72	68
1-556212-7	182.88	72
1-556212-0	233.68	92
5-556212-1	243.84	96
3-556212-1	304.80	120
2-556212-7	365.76	144
2-556212-3	457.20	180
1-556212-9	670.56	264
4-556212-8	1524.00	600

5-Wire Power Entry

555858-3	121.92	48
555858-4	182.88	72
1-555858-2	243.84	96
555858-5	365.76	144
1-555858-3	609.60	240

5-Wire Line Entry

557652-1	40.64	16
----------	-------	----

5 Wire Power to Line

556730-2	335.28	132
----------	--------	-----

Note:

Lengths from 30.48 cm [12 inches] to 762.0 cm [300 inches] are available in 1.27 cm [1/2"] increments to 182.88 cm [72 inches], and 2.54 cm [1"] increments above 182.88 cm [72 inches].

Power Transition Units

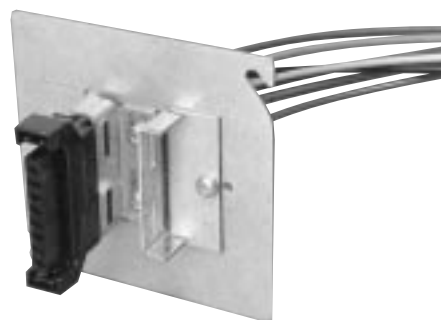
- Provides interface for building power into System
- 4-inch faceplate equipped with one or two hard wired line connectors
- Available in 5-wire or 8-wire configuration
- Mates with Power Cable Assemblies (p. 24)
- Polarized
- Rated at 125/250 VAC

Part Number 556190-1 (5 Wire, 1 Line Connector)

Part Number 556190-2 (5 Wire, 2 Line Connectors)

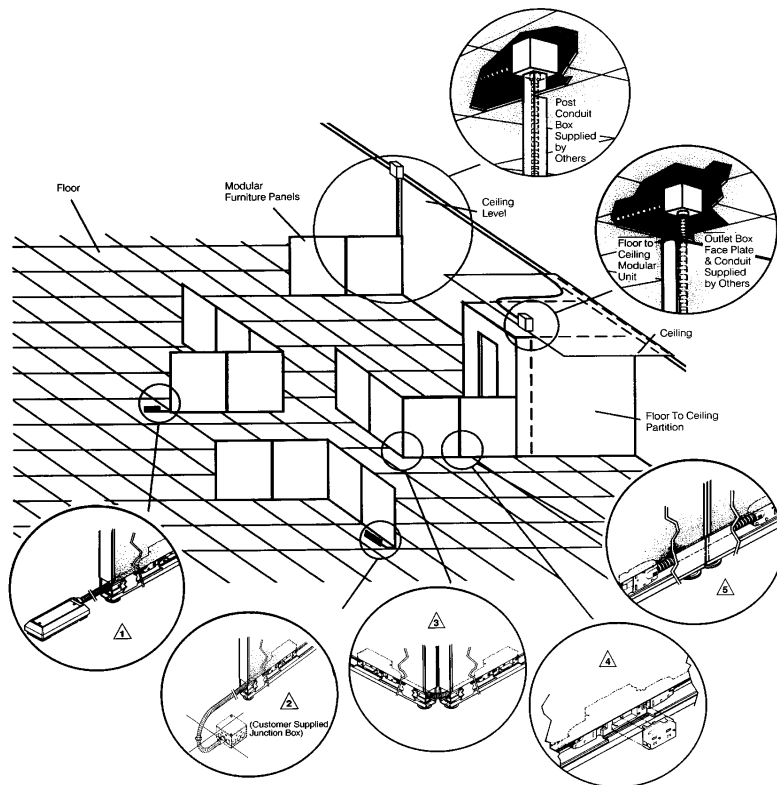
Part Number 556191-1 (8 Wire, 1 Line Connector)

Part Number 556191-2 (8 Wire, 2 Line Connectors)



The office of today and the office of the future demand flexibility and adaptability, along with reliability of components, while offering simplicity of moves and changes.

Modular Office Systems Furniture Application



- △ Single-ended Power Cable Assembly from Undercarpet Floor Mount Fixture
- △ Power Entry Cable Assembly
- △ Flexible Power Connector Cable Assembly permits 90° cable routing
- △ Plug-in Duplex Receptacle
- △ Power Connector Cable Assembly for straight runs on panels

NOTE: Layout and planning manual 124235 available for your CAD designer.

Junction Boxes

Materials:

Housing - Polycarbonate, black, 94V-0 rated

End Cap - Polycarbonate, 94V-0 rated, black for 8-wire box, white for 5-wire box

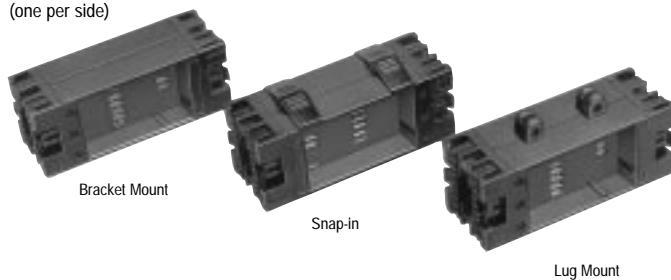
Contacts - Copper alloy, selectively plated tin and silver, 0.00381 [0.00150] min.

Rated - 125/250 volts, 20 amperes

Single Junction Box

2 Receptacles

(one per side)

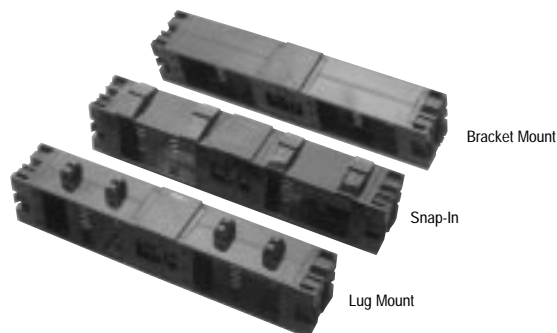


Part Numbers		Single Junction Box
5-Wire	8-Wire	
556887-1	556888-1	Bracket Mount
556209-1	556124-1	Snap-In Mount
556217-1	556132-1	Lug Mount
557634-1	557635-1	Wide Lug Mount

Multiplex Junction Boxes

4 Receptacles

(two per side)



Part Numbers		Multiplex Junction Box
5-Wire	8-Wire	
556886-1	556946-1	Bracket Mount
555844-1	555843-1	Snap-In Mount
555848-1	555847-1	Lug Mount
—	557802-2	Tri-plex Lugless
—	557950-1	Quad-plex Lugless

Modular Office Systems Furniture Application

Junction Box Raceway Mounting Brackets

These kits are used to retrofit the Modular Power Distribution System Junction Box in the raceways of existing modular furniture panels.



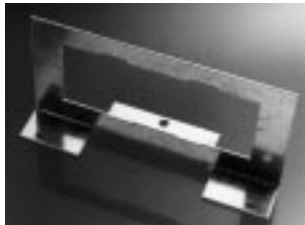
Steelcase 9000 Standard Bracket
Part No. 556920-1
(fits 556887-1 and 556888-1)
Multiplex Bracket
Part No. 556944-1
(fits 556886-1 and 556946-1)
Kit consists of a base, two brackets and two nuts.



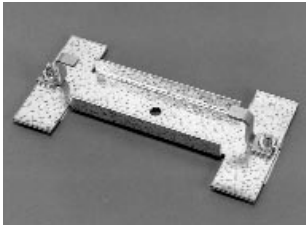
AMPINNERGY
Blank Faceplate Insert
Part No. 558657 -1 Black
-2 Almond
-4 NEMA Gray



Bezel
Part No. 557693-1



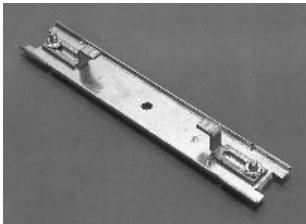
Steelcase Avenir Standard Bracket
Part No. 569549-1
(fits 556209-1 and 556124-1)



Herman Miller
Action Office I Standard Bracket
Part No. 557737-1
(fits 556887-1 or 556888-1)



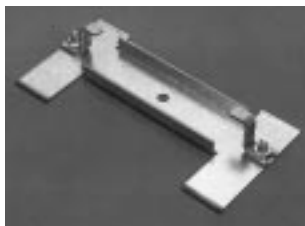
Herman Miller
Action Office II Offset Bracket
Part No. 558826-1
(fits 556887-1 and 556888-1)
Kit consists of a base, two brackets and two nuts



Haworth Standard Bracket
Part No. 557721-1
(fits 556887-1 or 556888-1)



Herman Miller
Action Office I, for
60.95 cm [24"] Panel Bracket
Part No. 558216-1
(fits 556887-1 and 556888-1)
Kit consists of a base, two brackets and two nuts



Herman Miller
Action Office I
Offset Bracket
Part No. 558478-1
(fits 556887-1 and 556888-1)
Kit consists of a base, two brackets and two nuts

Recommended tooling to punch an opening in the raceway cover for the duplex receptacle:
• Hydraulic Tool/Adapter P/N 7904SB or 7906SB with Greenlee Adapter 60167.
• Die Set (die punch) 1.50" x 2.75"

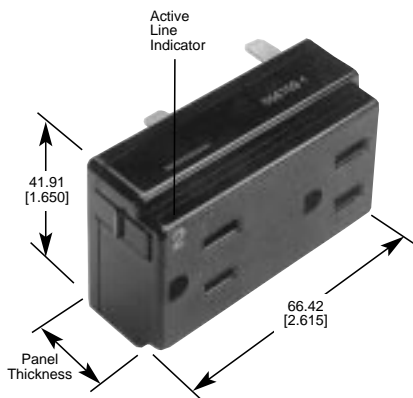
Available from: Greenlee Tool Company
Subsidiary of TEXTRON Inc.
4455 Boeing Drive
Rockford, IL 61109
or a local distributor

A Die Set (die punch) part no. BO-104-98 is available from:

Barthelmes MFG Company
15 Cairn Street
Rochester, NY 14611
(716) 328-8140

Modular Office Systems Furniture Application

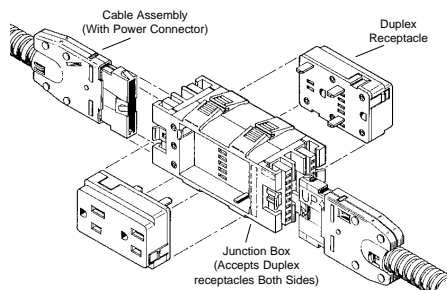
Duplex Receptacles



Materials:

Housing and Cover - Polycarbonate, 94V-0 rated

Contacts - Copper alloy, tin plated 0.00381 [0.000150] min.



- Rated at 125 VAC
- Meets NEMA 5-15R and NEMA 5-20R
- Available for any of the 4 circuits (3 circuits with 5-wire)
- Available with standard ground or isolated ground
- Active line clearly indicated - Isolated ground marked in orange
- Fully polarized and keyed
- Available in various panel thicknesses from 50.8 [2"] to 88.9 [3.5"]
- Colors other than black available on request

Duplex Receptacles 15 Amps

Part Number	Line	Panel Thickness (mm [inches])	Amps
556100-1	1	50.80 [2]	15
556101-1	2	50.80 [2]	15
556102-1	3	50.80 [2]	15
556103-1	4	50.80 [2]	15
556104-1	1G	50.80 [2]	15
556105-1	2G	50.80 [2]	15
556106-1	3G	50.80 [2]	15
556107-1	4G	50.80 [2]	15
556108-1	1	57.15 [2.25]	15
556109-1	2	57.15 [2.25]	15
556110-1	3	57.15 [2.25]	15
556111-1	4	57.15 [2.25]	15
556112-1	1G	57.15 [2.25]	15
556113-1	2G	57.15 [2.25]	15
556114-1	3G	57.15 [2.25]	15
556115-1	4G	57.15 [2.25]	15
556116-1	1	63.50 [2.5]	15
556117-1	2	63.50 [2.5]	15
556118-1	3	63.50 [2.5]	15
556119-1	4	63.50 [2.5]	15
556120-1	1G	63.50 [2.5]	15
556121-1	2G	63.50 [2.5]	15
556122-1	3G	63.50 [2.5]	15
556123-1	4G	63.50 [2.5]	15
558056-1	5G	63.50 [2.5]	15
406112-1	1	79.38 [3.125]	15
406113-1	2	79.38 [3.125]	15
406114-1	3	79.38 [3.125]	15
406115-1	4	79.38 [3.125]	15
406116-1	1G	79.38 [3.125]	15
406117-1	2G	79.38 [3.125]	15
406118-1	3G	79.38 [3.125]	15
406119-1	4G	79.38 [3.125]	15
406120-1	5G	79.38 [3.125]	15
406623-1	1	82.55 [3.25]	15
406624-1	2	82.55 [3.25]	15
406625-1	3	82.55 [3.25]	15
406626-1	4	82.55 [3.25]	15
406627-1	1G	82.55 [3.25]	15
406628-1	2G	82.55 [3.25]	15
406629-1	3G	82.55 [3.25]	15
406630-1	4G	82.55 [3.25]	15
406631-1	5G	82.55 [3.25]	15
406121-1	1	88.90 [3.5]	15
406122-1	2	88.90 [3.5]	15
406123-1	3	88.90 [3.5]	15
406124-1	4	88.90 [3.5]	15
406125-1	1G	88.90 [3.5]	15
406126-1	2G	88.90 [3.5]	15
406127-1	3G	88.90 [3.5]	15
406128-1	4G	88.90 [3.5]	15

Modular Office Systems Furniture Application

Duplex Receptacles

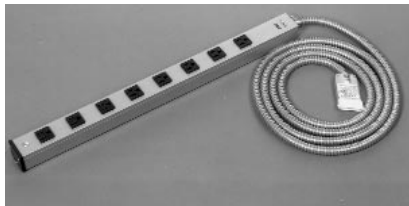


Duplex Receptacles 20 Amps

Part Number	Line	Panel Thickness (mm [inches])	Amps
406248-1	1	50.8 [2]	20
406249-1	2	50.8 [2]	20
406250-1	3	50.8 [2]	20
406251-1	4	50.8 [2]	20
406252-1	1G	50.8 [2]	20
406253-1	2G	50.8 [2]	20
406254-1	3G	50.8 [2]	20
406255-1	4G	50.8 [2]	20
406257-1	1	57.15 [2.25]	20
406258-1	2	57.15 [2.25]	20
406259-1	3	57.15 [2.25]	20
406260-1	4	57.15 [2.25]	20
406261-1	1G	57.15 [2.25]	20
406262-1	2G	57.15 [2.25]	20
406263-1	3G	57.15 [2.25]	20
406264-1	4G	57.15 [2.25]	20
406265-1	1	63.5 [2.5]	20
406266-1	2	63.5 [2.5]	20
406267-1	3	63.5 [2.5]	20
406268-1	4	63.5 [2.5]	20
406269-1	1G	63.5 [2.5]	20
406270-1	2G	63.5 [2.5]	20
406271-1	3G	63.5 [2.5]	20
406272-1	4G	63.5 [2.5]	20
406273-1	5G	63.5 [2.5]	20

Part Number	Line	Panel Thickness (mm [inches])	Amps
406226-1	1	79.38 [3.125]	20
406227-1	2	79.38 [3.125]	20
406228-1	3	79.38 [3.125]	20
406229-1	4	79.38 [3.125]	20
406230-1	1G	79.38 [3.125]	20
406231-1	2G	79.38 [3.125]	20
406232-1	3G	79.38 [3.125]	20
406233-1	4G	79.38 [3.125]	20
406234-1	5G	79.38 [3.125]	20
406632-1	1	82.55 [3.25]	20
406633-1	2	82.55 [3.25]	20
406634-1	3	82.55 [3.25]	20
406635-1	4	82.55 [3.25]	20
406636-1	1G	82.55 [3.25]	20
406637-1	2G	82.55 [3.25]	20
406638-1	3G	82.55 [3.25]	20
406639-1	4G	82.55 [3.25]	20
406640-1	5G	82.55 [3.25]	20
406235-1	1	88.90 [3.5]	20
406236-1	2	88.90 [3.5]	20
406237-1	3	88.90 [3.5]	20
406238-1	4	88.90 [3.5]	20
406239-1	1G	88.90 [3.5]	20
406240-1	2G	88.90 [3.5]	20
406241-1	3G	88.90 [3.5]	20
406303-1	4G	88.90 [3.5]	20

Power Strip



- Power Connector allows connection to a junction box or power distribution module
- Power Strip is 60.95 cm [24"] long and contains 8, 15-amp convenience outlets
- Extruded channel is gray aluminum
- Available in Line 1 or Line 2.

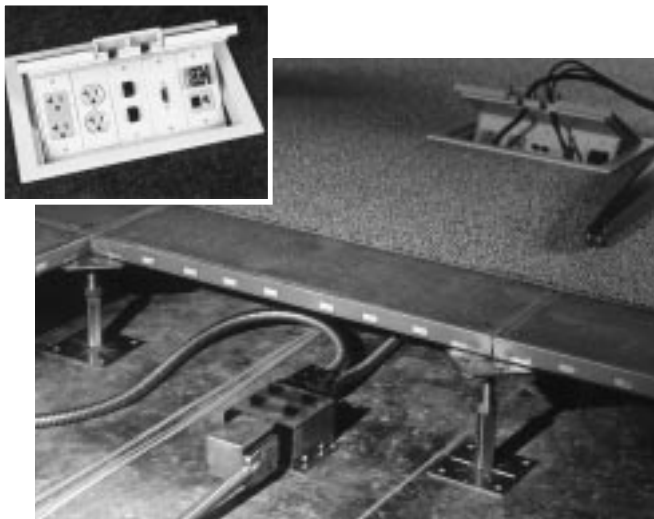
Part No. 557958-1 (Line 1)
557958-2 (Line 2)

Desktop Mount Outlets



Desktop Mount Duplex Outlet (Gray)
Part Number 556222-1
Desktop Mount Data Outlet
Part Number 556263-1 (Gray)

Raised Access Floor Application



Modular Zone Wiring System

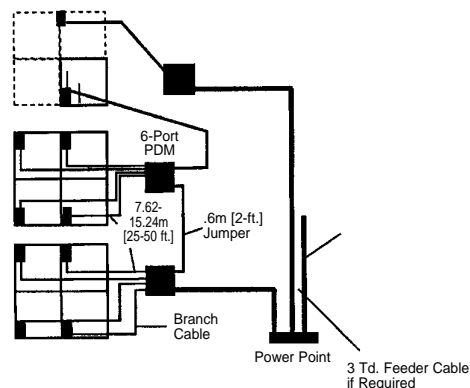
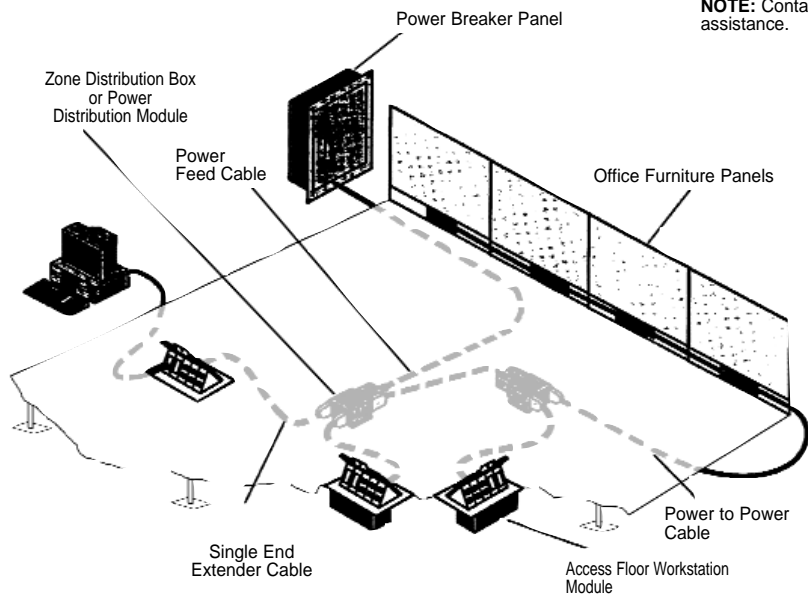
Product Facts

- Each zone supports up to 27 Workstations
 - Up to six (6) port Power Distribution Modules
 - 27 Access Floor Workstation Modules with 2 Duplex Receptacles
 - Four-to-six receptacles/circuit
- 12 Circuits
 - Three may be dedicated
 - Five and eight wire capability

Features

- Reusable and reconfigurable
- Easy to install - reduced installation time and expense
- Allows for dedicated circuits
- Factory terminated cable assemblies
- Allows for circuit load balancing by simply changing the duplex receptacle
- Can be integrated with zone communication wiring
- Flexible cable saves installation labor up to 40%

NOTE: Contact AMP for layout or design assistance.

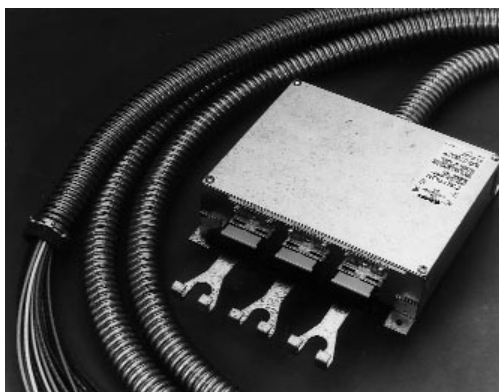


Raised Access Floor Zone Wiring System

All shaded/dashed items beneath raised floor

- Part Number 406023-1 10.67 m [35 ft] power feed cable
- Part Number 406023-2 15.24 m [50 ft] power feed cable

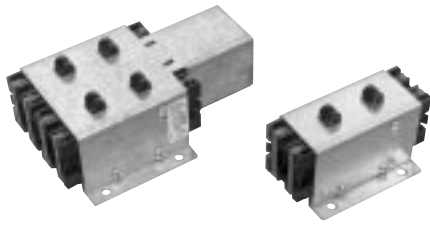
- Distributes power from panel board to work area
- Each of 3 ports provide general purpose or isolated ground 3 phase 125/250 VAC power via 5 or 8 wire connectors
- Factory assembled and tested
- No internal wiring connections to come loose
- Mounting legs secure box to floor



Work Area Layout for Zone Wiring

10.67-15.24m [35-50 ft.] Power Feeder Cable

Power Distribution Modules



- Normally mounted on concrete floors but provided in Lug Mount version Junction Box to provide alternate mounting capability
- Splits a branch circuit into 3 or 5 directions
- Available in 4- and 6-Port module

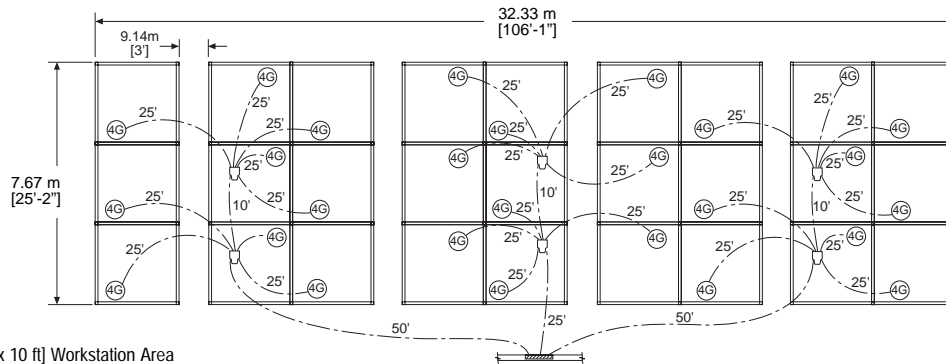
Standard Height (with lug mounts)	
Part Number	Description
556173-1	4 Port, 8-Wire
556173-2	4 Port, 5-Wire
556794-1	6 Port, 8-Wire
556794-2	6 Port, 5-Wire

Low Profile (without lug mounts)	
Part Number	Description
406478-1	4 Port, 8-Wire
406478-2	4 Port, 5-Wire
406221-1	6 Port, 8-Wire
406221-2	6 Port, 5-Wire

8-Wire/27 Workstation Grouping/1 Zone

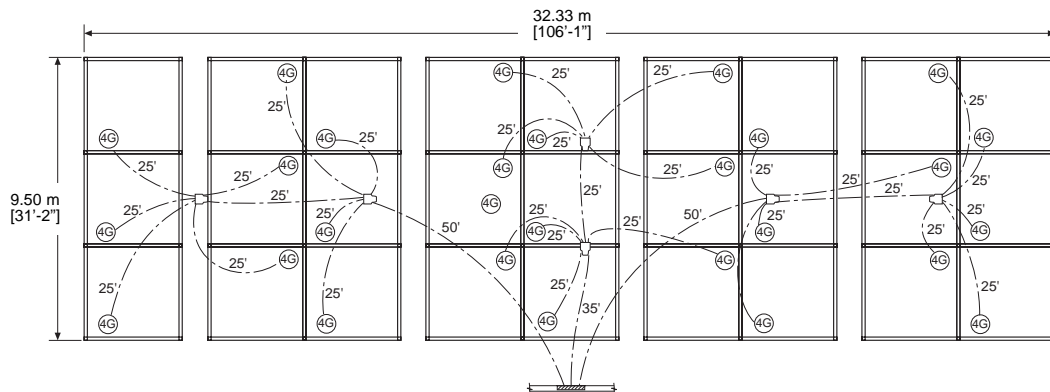
5.95 Square Meters [8 ft x 8 ft] Workstation Area

50' = 15.24 m
25' = 7.62 m
10' = 3.05 m



9.29 Square Meters [10 ft x 10 ft] Workstation Area

50' = 15.24 m
35' = 10.67 m
25' = 7.62 m
10' = 3.05 m



Components Required

Part Number	Description	Length m [ft.]	Quantity
406221-1	Power Distribution Module	—	6
(See page 33)	Access Floor Workstation Module (AFWM)	—	27
406066-1	Power Entry Cable Assembly (8-Wire)	15.2 [50]	2
406066-2	Power Entry Cable Assembly (8-Wire)	10.7 [35]	1
556127-1	Power/Power Cable Assembly (8-Wire)	7.6 [25]	30
556148	AFWM Line Entry Cable Assembly (8-Wire)	4.9 [16]	27

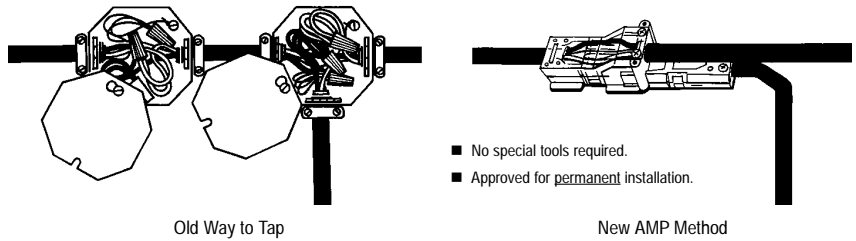
- Power Panel
- Power Distribution Module (6-Port)
- Access Floor Workstation Module (2 thru 5 Gang)
- Power Cable Assembly

Non-Metallic Sheathed Cable Interconnections

NM Sheathed Cable Interconnections provide a fast and reliable way to permanently interconnect 3.23 or 2.07 mm² [12 and 14 AWG] circuits. They eliminate the need for junction boxes, covers, wire nuts, and box connectors.

NM Cable Splices and Tap use insulation displacement contacts and require no special tools for termination.

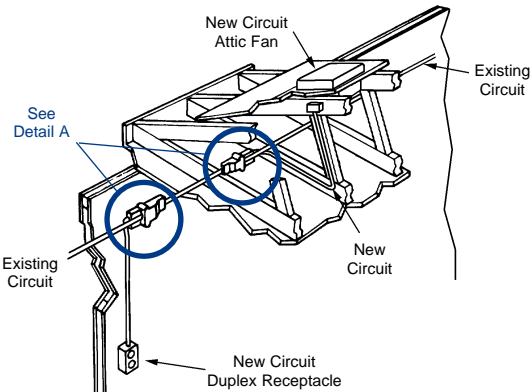
- Voltage rating: 300 VAC RMS
- Current rating: 20 amperes
- Temperature rating: 105°C
- Meets requirements of National Electric Code, articles 545, 550, 551 and 336-21 (Tap and 3 wire Interconnector).
- Listed by Underwriters Laboratories Inc., File No. E57250



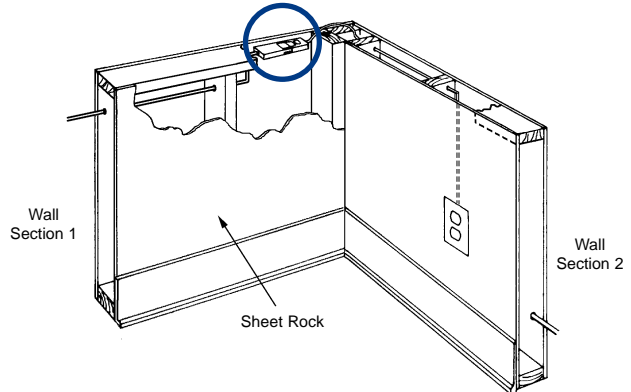
- No special tools required.
- Approved for permanent installation.

New AMP Method
Detail A

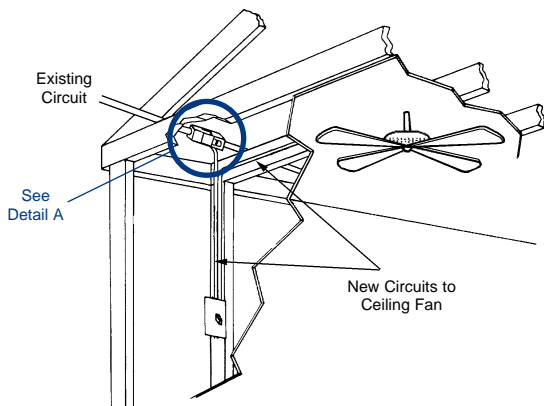
For adding an attic fan or duplex receptacle to an existing circuit.



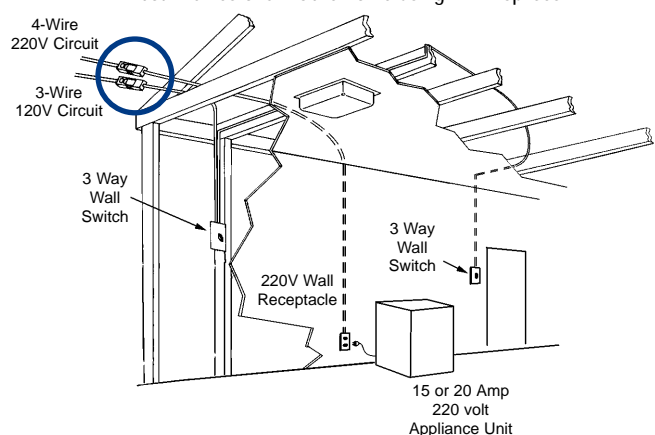
For adding Connector-ized power to pre-fabricated structural wall sections using 2 NM splices.



For adding a ceiling fan to an existing circuit.



For interconnecting all electrical services in both halves of a mobile home using 2 NM splices



Note: NEC requires Connector to be secured to stud with screws or the NM Cable to be stapled within 12 inches of the Connector.

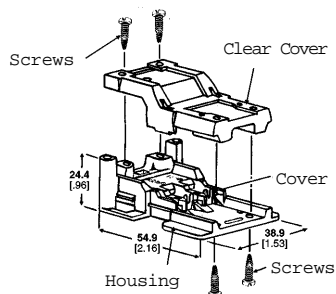
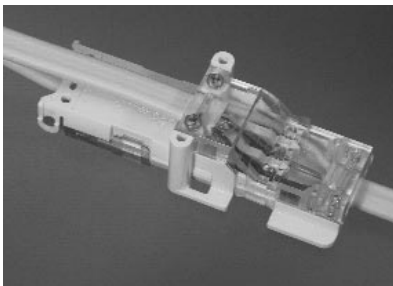
Products and Services for Electrical Design

2 conductor & ground (3-wire) tap for tapping into 3.23 or 2.07 mm² [12 or 14 AWG] solid conductor 2-conductor cable with ground cable.

Part Number
208294-3 (Qty 1 per bag)

Note: Tap mates with 2 conductor & ground (3-wire) splice, P/N 207877-2, for complete tap assembly.

Instruction Sheet 408-6548

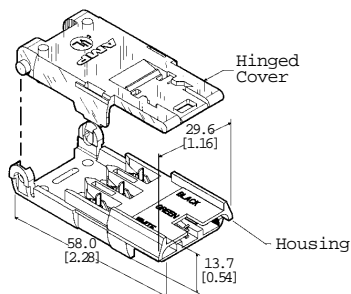
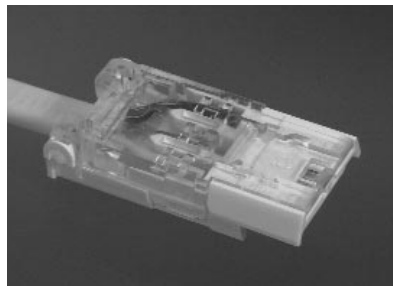


2 conductor & ground (3-wire) splice connector for interconnecting 3.23 or 2.07 mm² [12 or 14 AWG] solid conductor 2-conductor cable with ground.

Part Number
207877-2 (Qty 1 per bag)

Note: Two splice connectors are required for each interconnection.

Instruction Sheet 408-7913

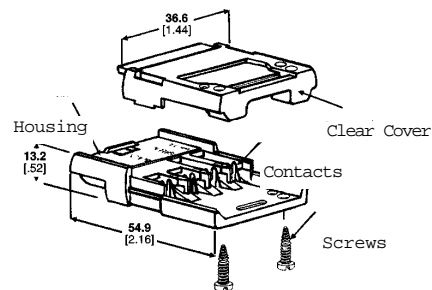
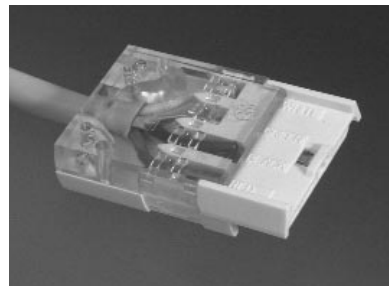


3 conductor & ground (4-wire) splice connector for interconnecting 3.23 or 2.07 mm² [12 or 14 AWG] solid conductor 3-wire cable with ground.

Part Number
208169-2 (Qty 1 per bag)

Note: Two splice connectors are required for each interconnection.

Instruction Sheet 408-6571



Flexible Conduit Connectors

- Rated 125°C [257°F]
- Fully grounded
- UL Listed for use on 9.53mm [3/8"] flexible conduit. File No. E60108
- Recognized under the Component Program of Underwriters Laboratories, Inc. for use on 12.70mm [1/2"] flexible conduit. File No. E60108
- Designed to UL performance Std. 514B
- Certified by Canadian Standards Association, Report Nos. LR42374-X, and LR38656-1



Flexible Conduit Connectors are designed for connecting 9.53mm [3/8"] and 12.70mm [1/2"] trade size flexible conduit - "Greenfield" types - to electrical panels or boxes. They provide fast, reliable connectors in a variety of applications.

Connecting flexible conduit using AMP straight-thru or right angle connectors is easy. A connector is simply screwed onto the conduit until it stops, then the connector is snapped into the knockout hole of a panel or box. No screw clamps are needed to hold the conduit in the connector, and no locknut is needed to retain the connector in the panel or box.

Straight-Thru Connectors

Description	Part Number
For Flexible Conduit	
9.53 mm [3/8"]	207370-1
12.70 mm [1/2"]	207373-1*

Right-Angle Connectors

Description	Part Number
For Flexible Conduit	
9.53 mm [3/8"]	207508-1
12.70 mm [1/2"]	207507-1*

* Not UL Listed

In the U.S. 1-800-553-0938
 Canada 905-475-6222
 Mexico 525-729-0400
 South and Central Americas 54-11-4733-2200
 www.ampnetconnect.com
 e-mail: networking.help@tycoelectronics.com

© Copyright 2000 Tyco Electronics Corporation. All rights reserved.
 AMP, AMP NETCONNECT, NETCONNECT and Tyco are trademarks.
 1307965-5M-Tyco-Tyco-4/00 Printed in USA

tyco
ELECTRONICS

AMP
NETCONNECT